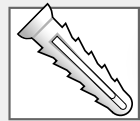
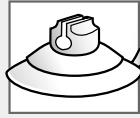




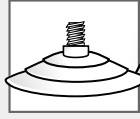
③ X Phillips head screws



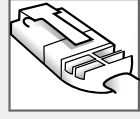
③ X Plastic expansion anchors (Optional)



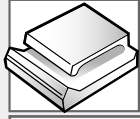
① X Mini-suction cup for camera



① X Large Suction cup for camera

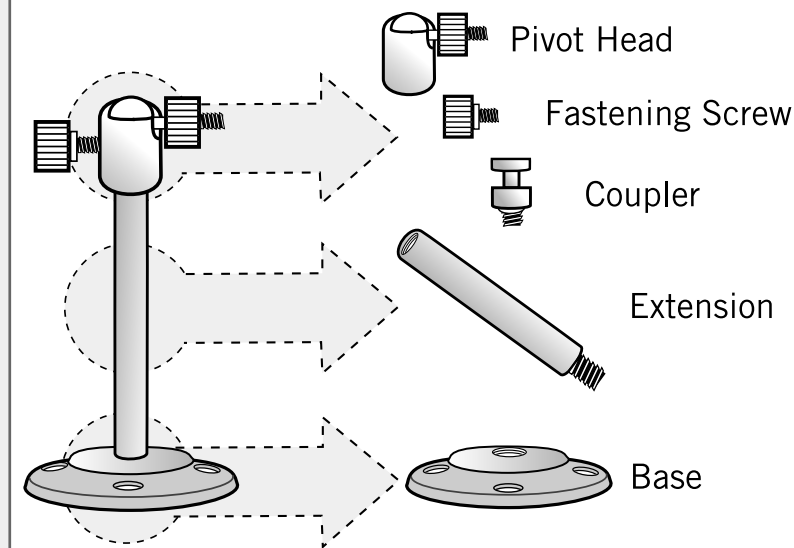


① X 10'(3m) cable for camera



③ X Stick-on cable wall clips

## The Wall and Ceiling Mount Bracket

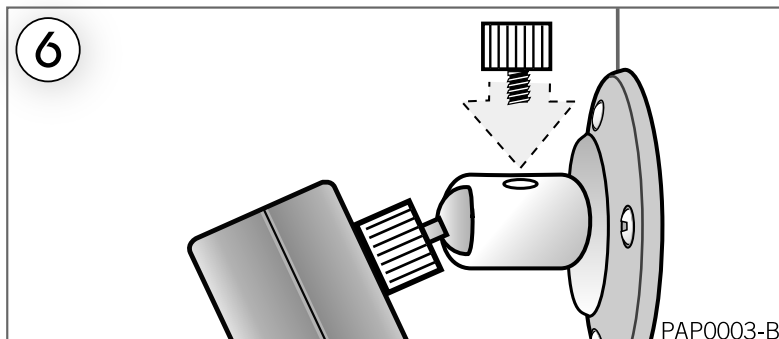
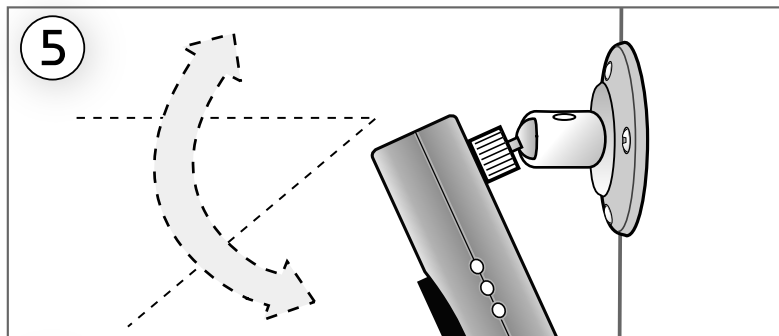
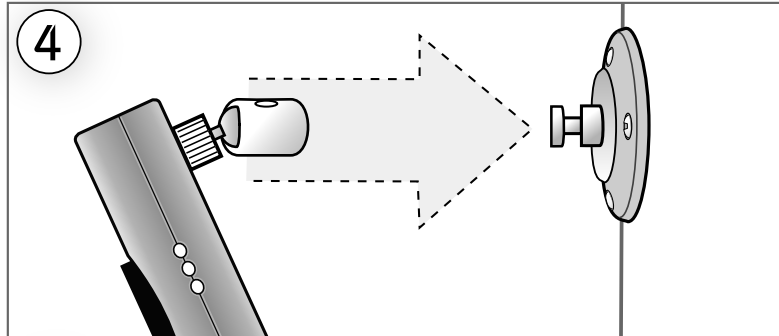
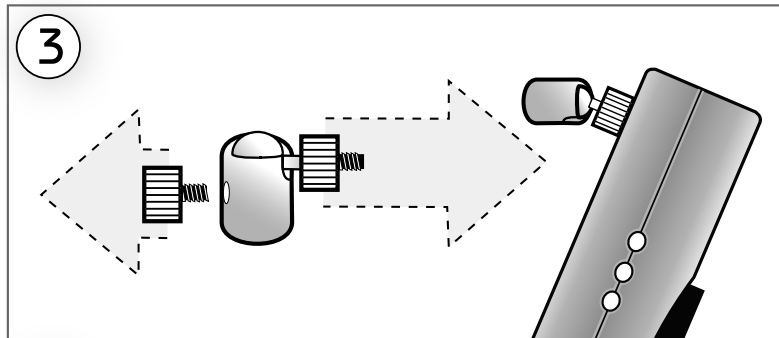
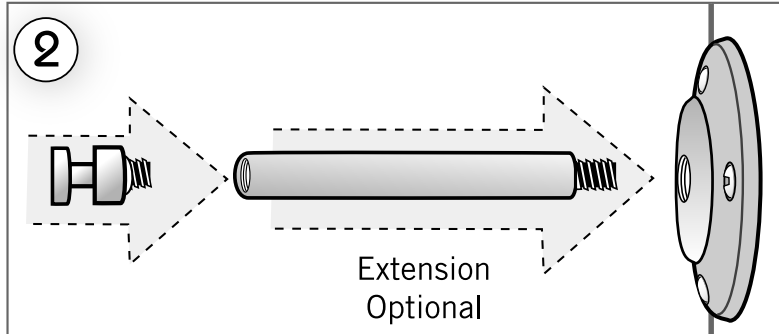
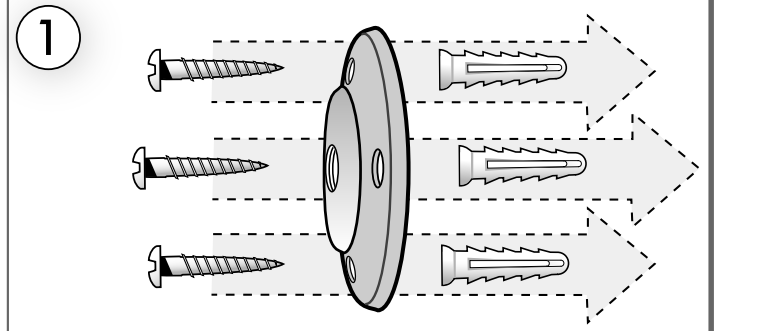


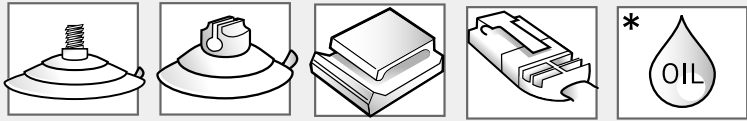
## Mounting the Wilife Indoor Camera

The wall mount allows you to easily fasten your camera to a ceiling or wall. Start by disassembling the wall and ceiling bracket and pre-drilling holes into the wall. Then follow these steps. (Steps coordinate with the illustrations on the right.)

### Mounting Steps

1. Screw the base to the wall or ceiling, using anchors if necessary.
2. Screw the coupler and extension (optional) into the base.
3. Screw the pivot head into the back of the camera.
4. Place the pivot head into the coupler.
5. Position the angle of the camera.
6. Tighten the pivot head using the fastening screw so that the camera keeps the angle you want.





# Window Mounting Steps

(Steps coordinate with the illustrations on the right.)

1. Take the suction cup from the outside of the Accessories box and screw it into the camera.
  - a) Attach suction cup to the front of the camera in order to point the camera outside, through a window.
  - b) Attach the suction cup to the back of the camera in order to point the camera into a room inside of the house.

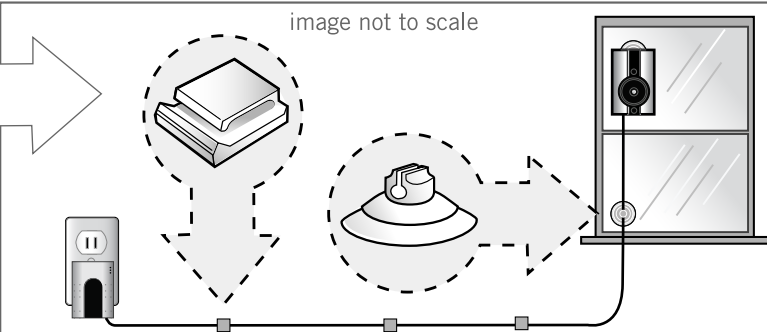
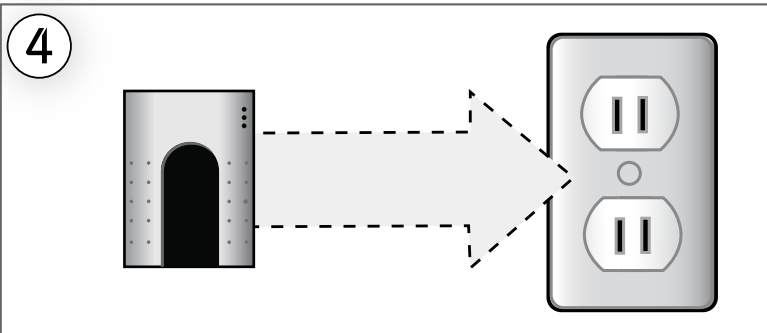
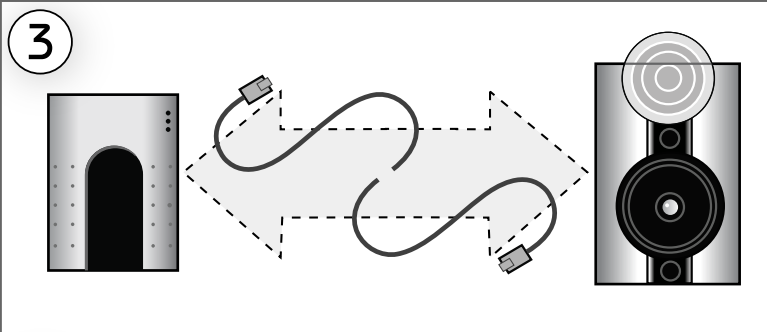
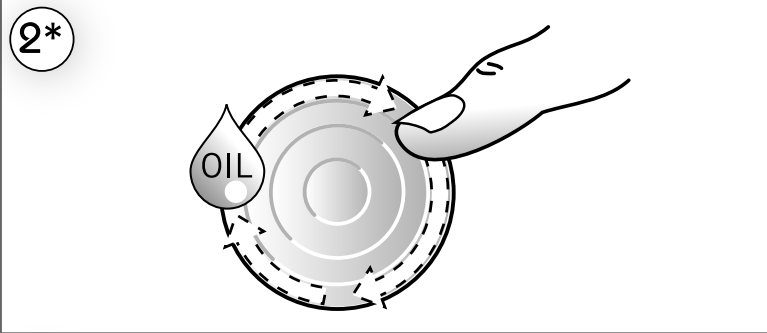
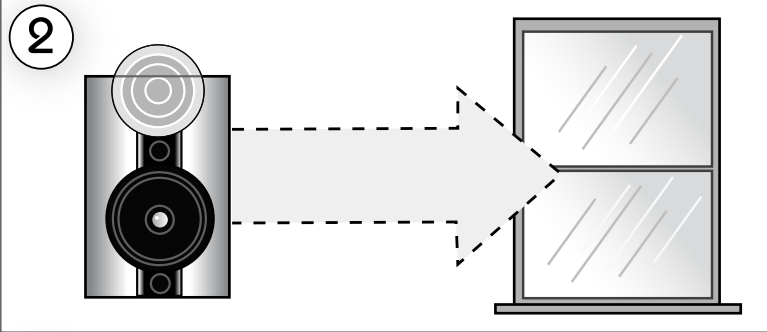
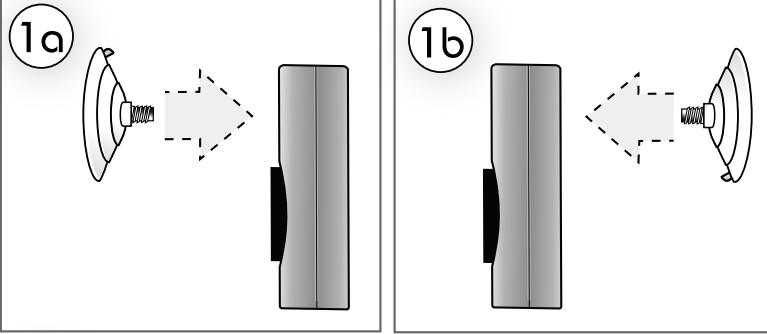
2. Clean off the area of the window where you are going to place the suction cup and camera. Let the area dry completely before mounting camera.

\* To increase the suction power of the cup, you can spread a very small drop of vegetable oil on the underside lip of the cup, before applying it to the window.

3. Remove the Ethernet cable from the Accessories box and plug one end of the cable into the camera and the other end into the Power Supply unit.

4. Plug the Power Supply unit into the nearest wall outlet.

The WiLife software automatically identifies the camera.



## Using Optional Accessories

You can use the mini-suction cup and cable wall clips to help route the cable along the window's edge. Mini-clips easily attach to the cable and any solid surface. They are great tools for running your ultra-thin camera cable along a wall or baseboard to provide additional security. We recommend using a mini-suction cup and clips every 24 inches.